

Price list 2018

Connectors for floor reinforcement



TECNARIA®

01-01-2018

Shear Connector With Crampons

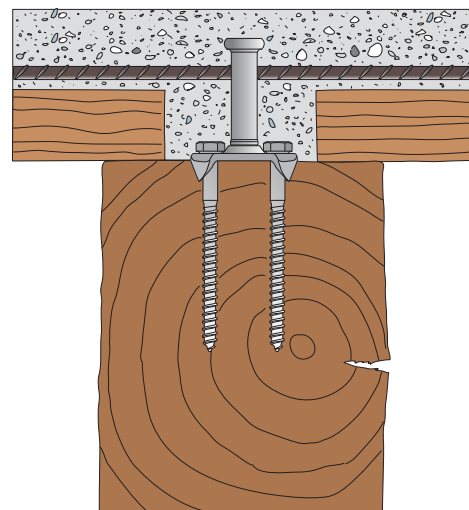
with a 50x50x4 mm base plate - screws Ø 8 mm

BASE

Article code	Diameter x length (mm)	Weight in Kg each	Price in € each
CTLB 020	12 X 020	0,17	2,31
CTLB 030	12 X 030	0,17	2,31
CTLB 040	12 X 040	0,18	2,41
CTLB 060	12 X 060	0,20	2,47
CTLB 070	12 X 070	0,21	2,52
CTLB 080	12 X 080	0,22	2,57
CTLB 105	12 X 105	0,24	2,94
CTLB 125	12 X 125	0,26	3,20
CTLB 150	12 X 150	0,28	3,47
CTLB 175	12 X 175	0,30	3,62
CTLB 200	12 X 200	0,38	3,83

SPECIFICATIONS

Zinc plated steel shear stud connector, 12 mm shank diameter with head, riveted to 50 x 50 x 4 mm base plate with crampons, fastened into the timber structure by the means of 2 DIN 571 screws, 8 mm diameter, 13 mm hexagonal head with a "truncated-cone" shaped under head.



Connector supplied with 2 DIN 571 screws Ø 8x100 mm (or Ø 8 X70 mm)

Connector with Ø 8 X 120 mm screws: 0.26 Euro extra price for each connector

Drilling Machine + Support



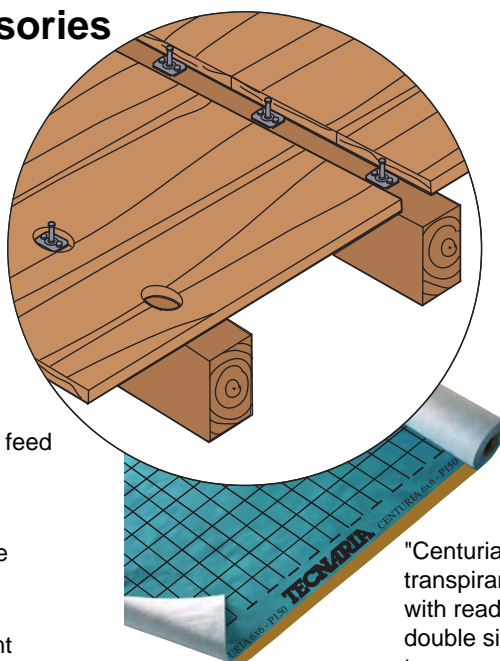
Accessories



Ø 65 mm self feed wood bit

Adhesive tape

Reinforcement tape for hole



1/2" Heavy Duty Electric Impact Wrench



Oil Spray

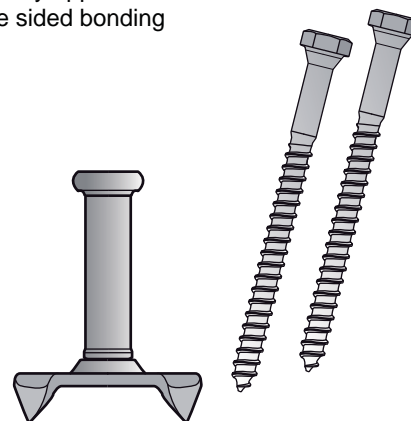


13 mm HEX Socket

"Centuria" waterproof transpirant membrane with ready applied double sided bonding tape.



Code art.	ACCESSORIES	Price in € NET each
ACT-DW292	Heavy Duty Electric Impact Wrench	370,00
ACT-TRAPCOL	Drilling Machine + Support	750,00
ACT-FL65	Ø 65 mm self feed wood	52,00
ACT-BE-13-E	13 mm HEX Socket	4,20
ACT-54125001	Oil Spray ml. 400	6,30
ACT-TTCEN	Water-proof and transpirant membrane (m ²)	1,83
ACT-TTNB100	Special double-sided adhesive tape - rolls 50mm x 100mt	22,00
ACT-TTOB65	Reinforcement tape for hole surround Ø 135/65 mm	0,40



Price list - validity: 01.01.2018. Replaces the previous ones

Shear Connector With Crampons

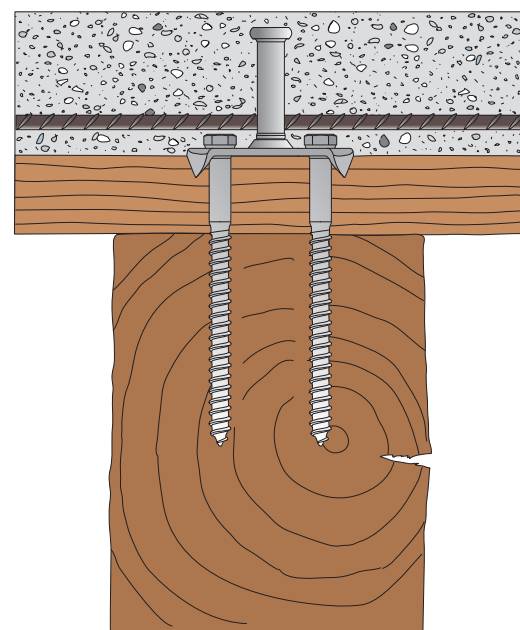
with a 75x50x4 mm base plate - screws Ø 10 mm

MAXI

Article code	Diameter x length (mm)	Weight in Kg each	Price in Euro each
CTLM 020	12 X 020	0.25	2,84
CTLM 030	12 X 030	0.26	2,84
CTLM 040	12 X 040	0.26	2,89
CTLM 060	12 X 060	0.29	2,94
CTLM 070	12 X 070	0.30	3,05
CTLM 080	12 X 080	0.31	3,10
CTLM 105	12 X 105	0.32	3,47
CTLM 125	12 X 125	0.35	3,68
CTLM 150	12 X 150	0.37	3,99
CTLM 175	12 X 175	0.38	4,10
CTLM 200	12 X 200	0.46	4,31

SPECIFICATIONS

Zinc plated steel shear stud connector, 12 mm shank diameter with head, riveted to a 75 x 50 x 4 mm base plate with crampons, fastened into the timber structure by the means of 2 DIN 571 screws, 10 mm diameter, 13 mm hexagonal head with a "truncated-cone" shaped under head.



Connector supplied with 2 DIN 571 screws Ø 10 x 120 mm (or Ø 10 X 100 mm)

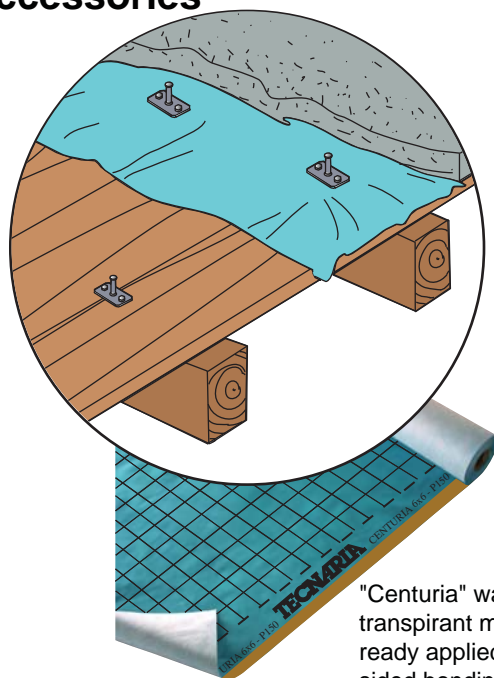
Connector with Ø 10 X 140 mm screws: 0,39 Euro extra price for each connector

Double 'T' drilling-machine



Adhesive tape

Accessories



"Centuria" waterproof transpirant membrane with ready applied double sided bonding tape.

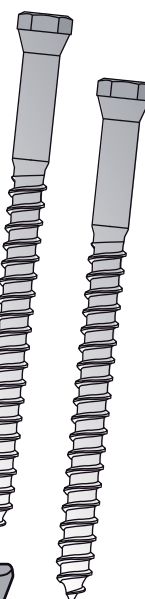
1/2" Heavy Duty Electric Impact Wrench



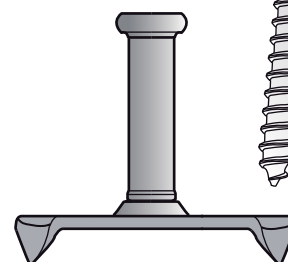
Oil Spray



13 mm HEX Socket



Article code	ACCESSORIES	Price in € NET each
ACT-DW292	1/2" Heavy Duty Electric Impact Wrench	370,00
ACT-DOPPTRAP	Double drilling-machine	1310,00
ACT-BE-13-E	13 mm HEX Socket	4,20
ACT-54125001	Oil Spray ml. 400	6,30
ACT-TTCEN	Water-proof and transpirant membrane 'Centuria' mq	1,83
ACT-TTNB100	Special double-sided adhesive tape - rolls 50mm x 100mt	22,00



Price list - validity: 01.01.2018. Replaces the previous ones

OMEGA connector

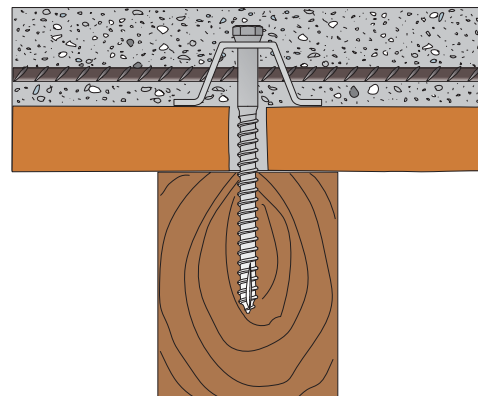
Consisting of a screw and stabilising plate
H35x30x90 mm - screws Ø10 mm

OMEGA

Article code	Diameter x length (mm)	Weight in Kg each	Price in Euro each
CVT 40V-10/100	10 X 100	0.16	1,47
CVT 40V-10/120	10 X 120	0.17	1,58
CVT 40V-10/140	10 X 140	0.18	1,73

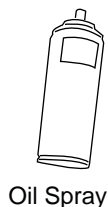
SPECIFICATIONS

Connector composed of a 10 mm screw, length 100/120/140 mm with tapered neck and a plate H38x30xL90 mm, thickness 4 mm, bent in Omega shape, having a hole for the coach screw to pass through.



Connector supplied with 1 DIN 571 screw Ø 10 x 100 mm (or Ø 10 X 120 -140 mm) and 1 stabilising plate

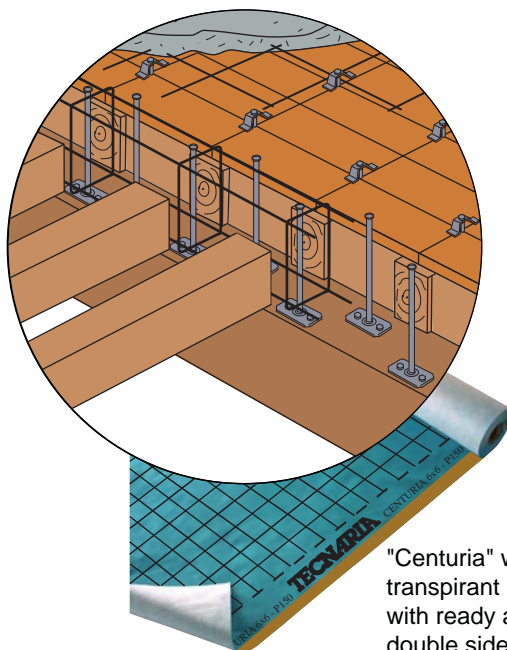
Accessories



Oil Spray



13 mm HEX Socket

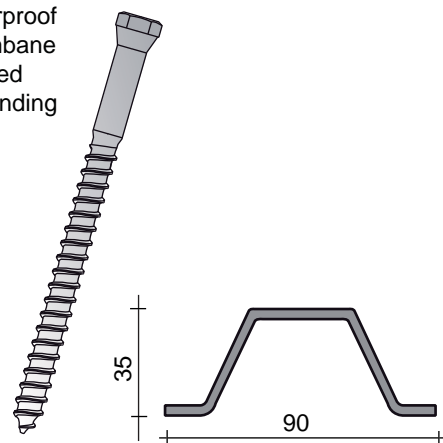


"Centuria" waterproof transpirant membrane with ready applied double sided bonding tape.

1/2" Heavy Duty Electric Impact Wrench



Article code	ACCESSORIES	Price in € NET each
ACT-DW292	1/2" Heavy Duty Electric Impact Wrench	370,00
ACT-BE-13-E	13 mm HEX Socket	4,20
ACT-54125001	Oil Spray ml. 400	6,30
ACT-TTCEN	Water-proof and transpirant membrane 'Centuria' mq	1,83



Price list - validity: 01.01.2018. Replaces the previous ones

TECNARIA®

Viale Pecori Giraldi, 55 - 36061 Bassano del Grappa (VI) ITALY
www.tecnaria.com - info@tecnaria.com
Tel. + 39 (0)424 502029 r.a. - fax +39 (0)424 502386



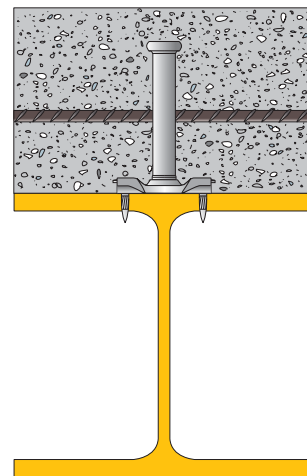
Shear Stud Connector TECNARIA

for steel-concrete composite structures

Fastening with powder-actuated tool into steel S 235 - S 275 - S 355

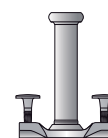
CTF-S

Article code 1 stud + 2 nails + 2 cartridges	Diameter x length (mm)	Weight in Kg per 100 pieces	Price in € each
CTF 020 CC	12 X 020	10,00	2,73
CTF 025 CC	12 X 025	11,00	2,73
CTF 030 CC	12 X 030	11,00	2,73
CTF 040 CC	12 X 040	11,00	2,73
CTF 060 CC	12 X 060	13,00	2,78
CTF 070 CC	12 X 070	14,00	2,89
CTF 080 CC	12 X 080	15,00	2,94
CTF 090 CC	12 X 090	16,00	3,05
CTF 105 CC	12 X 105	17,00	3,15
CTF 125 CC	12 X 125	19,00	3,41
CTF 135 CC	12 X 135	20,00	3,62



SPECIFICATIONS
Zinc plated steel shear stud connector, 12 mm shank diameter with head, cold-swaged to a 35x50x4 mm base plate, fastened into the steel structure by the means of 2 resistance nails.

Article code	Description	Price in € each.
PRE-ASS	Article code Description Price in € each *	0,26



PREASSEMBLED NAILING UNIT
only to be used in special cases.

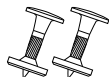
CTF 020 e CTF 025 only preassembled

Accessories

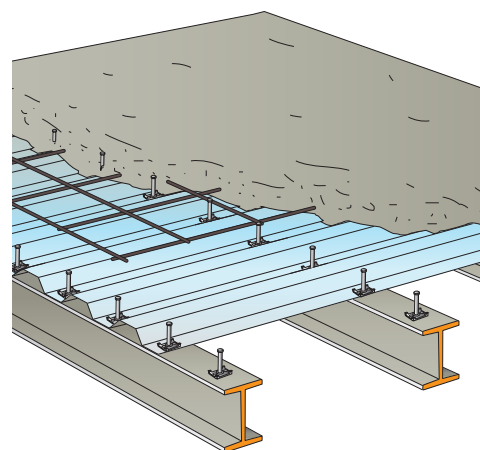
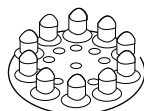
Powder-actuated tool SPIT 560
with special drive pin
for CTF connectors



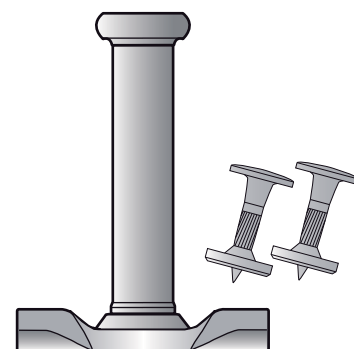
SBR Nails



Cartridge disc



Article code	ACCESSORIES	NET Price in € each
014000	Powder actuated tool SPIT 560 (kit for CTF)	1575,00
013997	Replacement piston (cod. 0141 PLT)	63,00
0577572	SBR14 Nail	0,21
0312XX	Cartridges (each)	0,14



LOOSE NAILS

Price list - validity: 01.01.2018. Replaces the previous ones

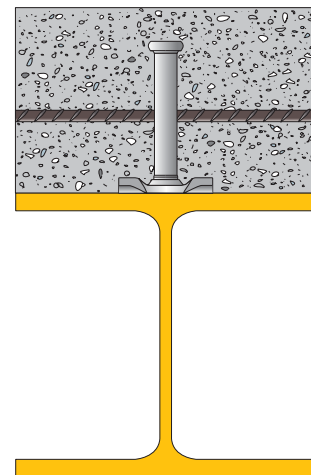
Shear Stud Connector TECNARIA

for steel-concrete composite structures

Welded connectors

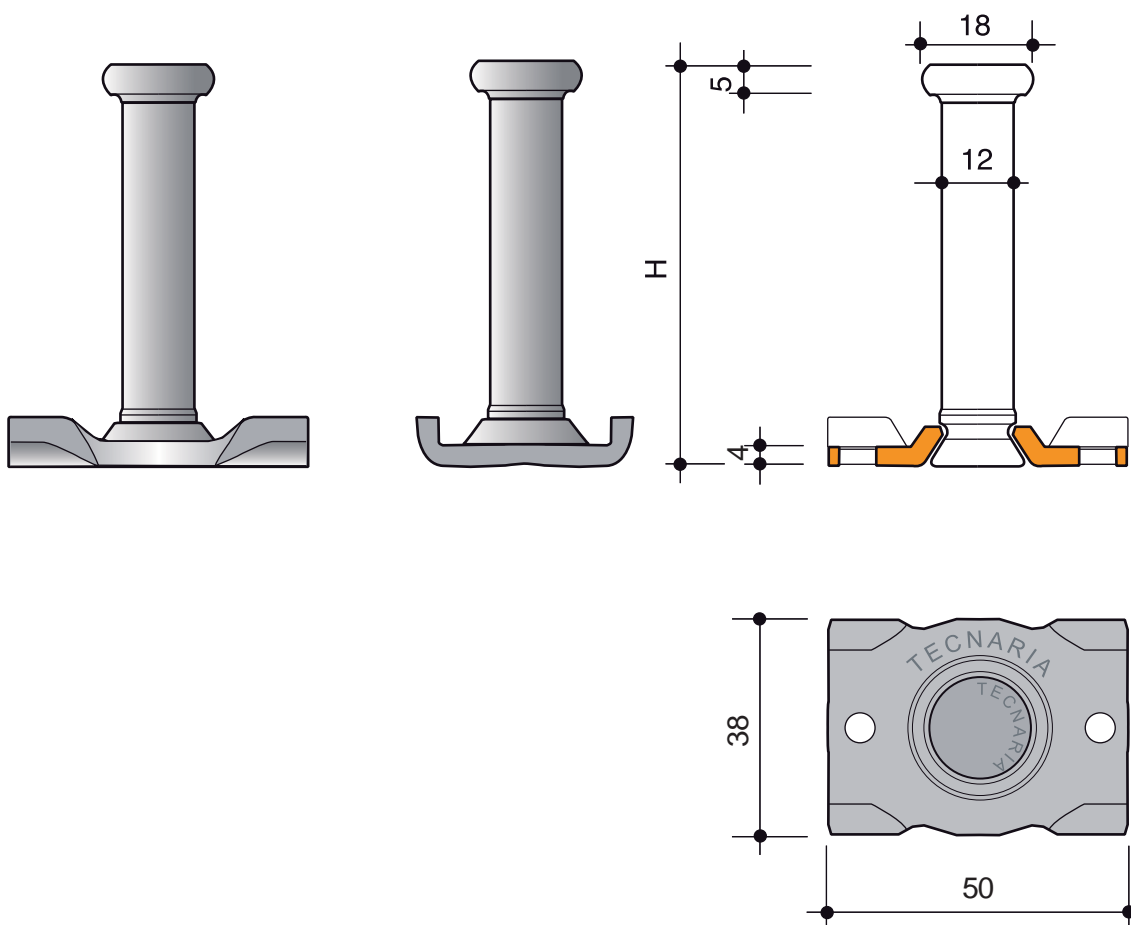
CTF

Article code	Diameter x lenght (mm)	Weight in Kg per 100 pieces	Price in €each
CTF 020	12 X 020	10,00	2,00
CTF 025	12 X 025	11,00	2,00
CTF 030	12 X 030	11,00	2,00
CTF 040	12 X 040	11,00	2,00
CTF 060	12 X 060	13,00	2,05
CTF 070	12 X 070	14,00	2,15
CTF 080	12 X 080	15,00	2,21
CTF 090	12 X 090	16,00	2,31
CTF 105	12 X 105	17,00	2,42
CTF 125	12 X 125	19,00	2,68
CTF 135	12 X 135	20,00	2,78



SPECIFICATIONS

Zinc plated steel shear stud connector, 12 mm shank diameter with head, cold-swaged to a 35x50x4 mm base plate.



Price list - validity: 01.01. 2018 Replaces the previous ones

TECNARIA®

Viale Pecori Giraldi, 55 - 36061 Bassano del Grappa (VI) - ITALY
 www.tecnaria.com - info@tecnaria.com
 Tel. 39 (0)424 502029 r.a. - fax + 39 (0)424 502386



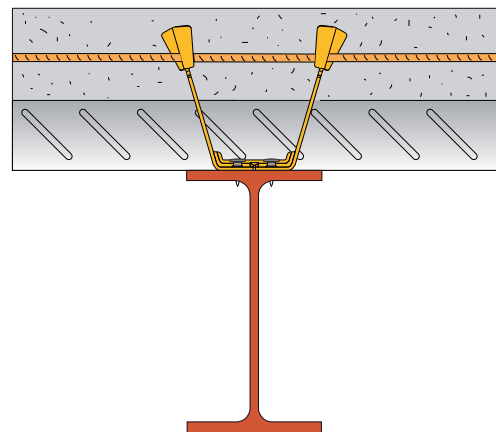
High Resistance Shear Connector

For steel-concrete composite structures

Fastening with power-actuated tool into steel S 235 - S275 - S355

DIAPASON

Article code 1 stud + 4 nails + 4 cartridges	Base x Height (mm)	Weight in Kg per 100 pieces	Price in € each
CTF D 100 CC	55 X 100	34,00	5,20
CTF D 125 CC	55 X 125	40,00	5,55



SPECIFICATIONS

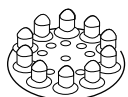
Connecting device made of a 3 mm thick galvanized steel plate, pressed into a 'U' shape. Ribbed base plate size 70x55 mm, two tilted wings 55x100 mm (or 55x125 mm) with holes for reinforcing bars. Fastened to the steel structure by 4 high-resistance nails.

Accessories

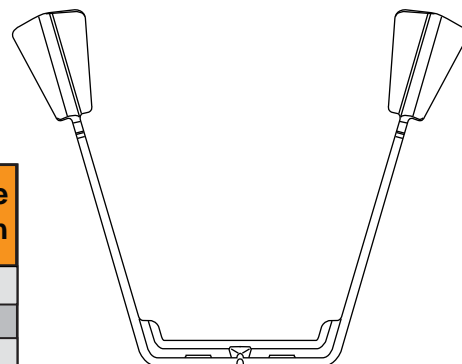
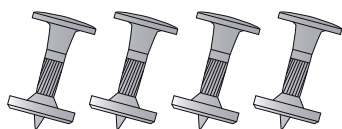
Powder-actuated tool SPIT 560

with special drive pin for Diapason connectors

Cartridge disc



SBR Nails



Article code	ACCESSORIES	NET Price in € each
014001	Power actuated tool SPIT P560 (kit for Diapason)	1320,00
014137	Replacement piston	50,00
057572	SBR Nail	0,21
0312XX	Cartridge (each)	0,14

Price list - Validity: 01.01.2018. Replaces the previous ones.

TECNARIA®

Viale Pecori Giraldi, 55 - 36061 Bassano del Grappa (VI) ITALY
 www.tecnaria.com - info@tecnaria.com
 Tel. +39 (0)424 502029 r.a. - fax +39 (0)424 502386



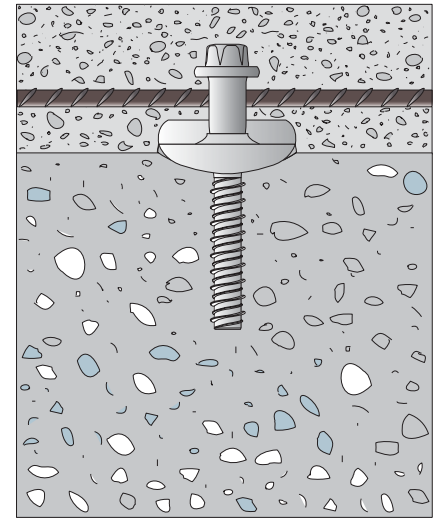
Stud connector with screw and toothed plate for integrating concrete casting

CTCEM

Article code	Diameter x length (mm)	Weight in Kg each	Price in € each
CTCEM 14/040	14 X 95	0,20	2,90

SPECIFICATIONS

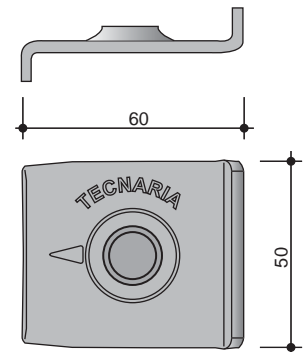
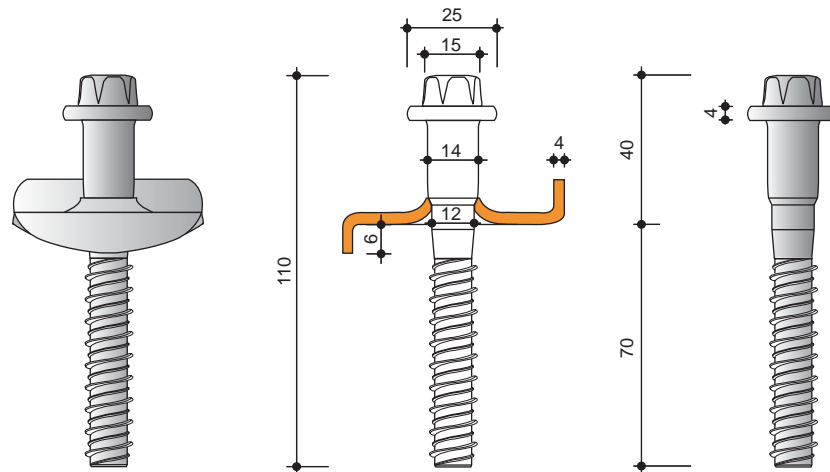
Stud connector with screw and toothed plate for concrete casting integration. Element composed of a \varnothing 14 mm shank of 10.9 hardened steel, with washer and 15 mm hexagonal head. The \varnothing 12 mm threaded body has a truncated conical section at the lower end allowing it to be inserted into the central hole of the 60x50x4 mm stabilizing plate folded on two sides.



Connector supplied with toothed plate and screw with threaded body, length 65 mm.



1/2" Heavy Duty Electric Impact



Article code	ACCESSORIES	Price in NET each
ACT-DW292	Heavy Duty Electric Impact Wrench	370,00
PC11160100	Drill bit for concrete \varnothing 11 mm	4,20
ACT-BE15-Q	15 mm hexagonal drive, with 1/2" square fitting	6,30

Price list - validity: 01.01.2018. Replaces the previous ones

TECNARIA®

Viale Pecori Giraldi, 55 - 36061 Bassano del Grappa (VI) - ITALY
www.tecnaria.com - info@tecnaria.com
Tel. + (0)424 502029 r.a. - fax +39 (0)424 502386



Stud connector with screw

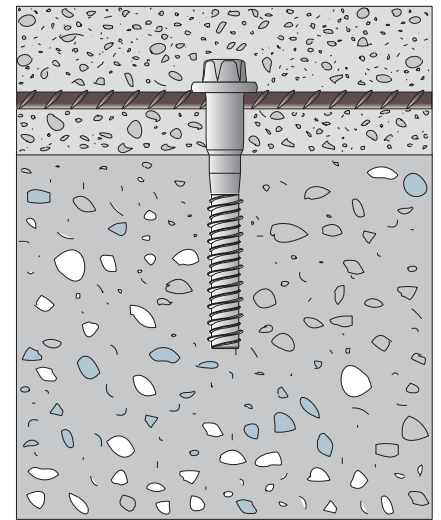
for integrating concrete casting

VCEM

Article code	Diameter x lenght (mm)	Weight in Kg each	Price in € each
VCEM 14/035	14 X 95	0,10	1,65

SPECIFICATIONS

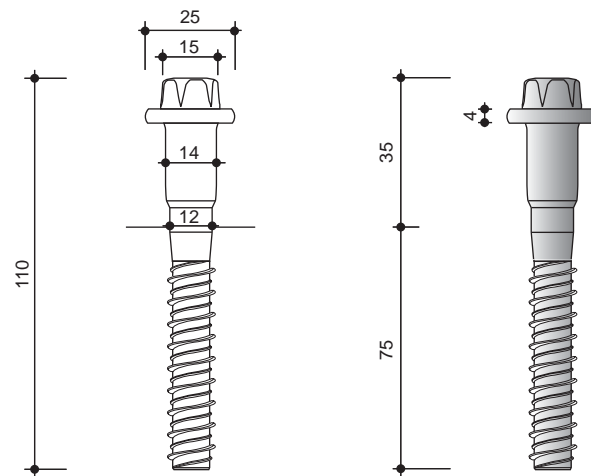
Galvanised screw stud connector for concrete casting integration comprising a Ø14 mm shank of 10.9 tempered steel, with 15 mm washer and hexagonal head, and a 60 mm long, Ø 12 mm threaded body, for a total length of 110 mm



Connector supplied with screw and threaded body, length 65 mm.



1/2" Heavy Duty Electric Impact



Article code	ACCESSORIES	Price in NET each
ACT-DW292	Heavy Duty Electric Impact Wrench	370,00
PC11160100	Drill bit for concrete Ø 11 mm	4,20
ACT-BE15-Q	15 mm hexagonal drive, with 1/2" square fitting	6,30

Price list - validity: 01.01.2018. Replaces the previous ones

TECNARIA®

Viale Pecori Giraldi, 55 - 36061 Bassano del Grappa (VI) ITALY
 www.tecnaria.com - info@tecnaria.com
 Tel. +39 (0)424 502029 r.a. - fax +39 (0)424 502386

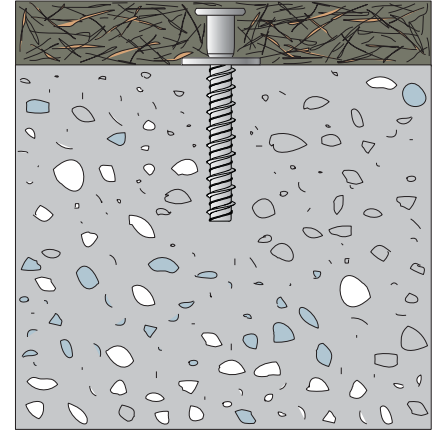


Stud connector with free-spinning washer

for integrating concrete casting
with thin additional slabs or cement mortar

MINI CEM

Article code	Diameter x length (mm)	Weight in Kg each	Price in € each
MINI CEM 10/020	10 X 20	0,06	1,40
MINI CEM 10/030	10 X 30	0,07	1,50

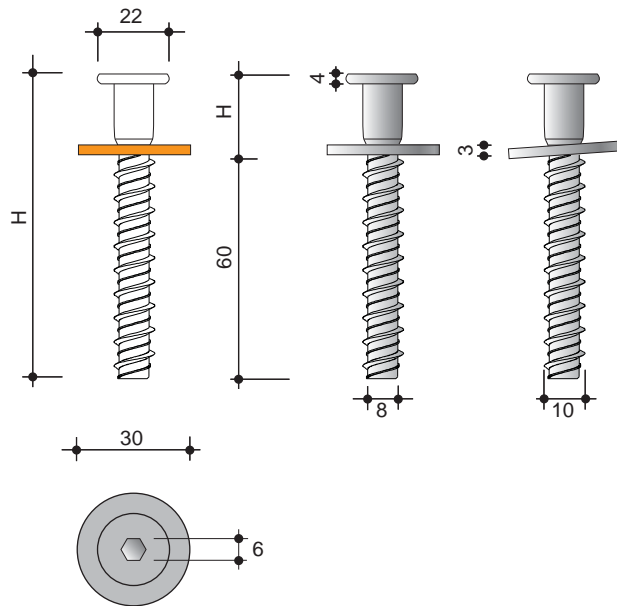


SPECIFICATIONS

Stud connector with galvanised screw for concrete casting integration. Element comprising a shank in hardened steel with \varnothing 10mm, 60 mm threaded body; a \varnothing 10 mm, 20 or 30 mm stud with pre-assembled 3 mm thick free-spinning steel washer 30 mm in diameter; and a 6 mm hexagonal head.



1/2" Heavy Duty Electric Impact



Article code	ACCESSORIES	Price in € NET each
ACT-DW292	Heavy Duty Electric Impact Wrench	370,00
PC080100160	Drill bit for concrete \varnothing 8 mm	4,20
DT7167	15 mm hexagonal drive	4,20

Price list - validity: 01.01.2018. Replaces the previous ones

TECNARIA®

Viale Pecori Giraldi, 55 - 36061 Bassano del Grappa (VI) ITALY
www.tecnaria.com - info@tecnaria.com
Tel. +39 (0)424 502029 r.a. - fax +39 (0)424 502386



Two-Component Epoxy Resin

for use with steel reinforcement bars.

RTEC400

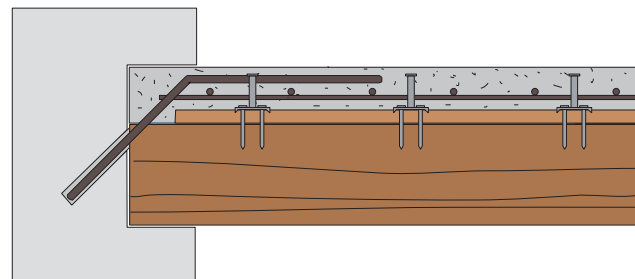
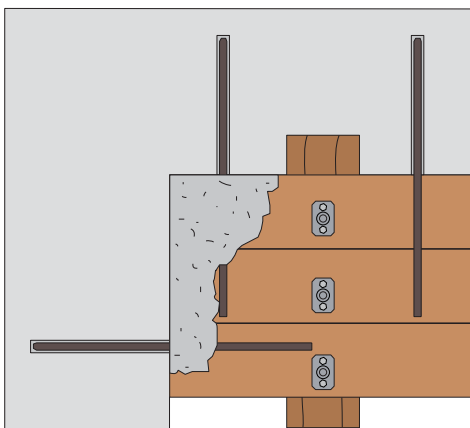
Article code	DESCRIPTION	Price in € each
RTEC400	400 ml two-component epoxy resin in a cartridge	21,00
PC14400450	Drill bits Ø14 L=450 mm	17,50
PC18400450	Drill bits Ø18 L=450 mm	26,50
RTEGUN400	Hand gun for dispensing resin 400 ml cartridges	36,00
RTMIXER	Extension piece for mixer 380mm	0,25

DESCRIPTION

Two-component Epoxy resin suitable for injection for fixing steel reinforcement bars into concrete, masonry, stone or timber.

SPECIFICATIONS

Supply and fixing of RTEC400 Tecnaria tixotropica two-component epoxy resin to undertake the adhesion between a reinforced concrete slab of a composite floor structure (wood, concrete, steel - concrete - reinforced concrete) and perimeter supporting walls using of steel reinforcement bars. Before the product can be used, suitable holes must be drilled and cleaned.



Bar mm Ø	Hole diameter and depth mm	Linear meters walls	distance between bars 60 cm	distance between bars 80 cm
12	14x200 mm	100	9 cartridges	7 cartridges
12	14x300 mm	100	13 cartridges	10 cartridges
12	14x400 mm	100	18 cartridges	13 cartridges
16	18x200 mm	100	14 cartridges	11 cartridges
16	18x300 mm	100	21 cartridges	16 cartridges
16	18x400 mm	100	28 cartridges	21 cartridges

Price list - validity: 01.01. 2018. Replaces the previous ones