

Shear Connector With Crampons

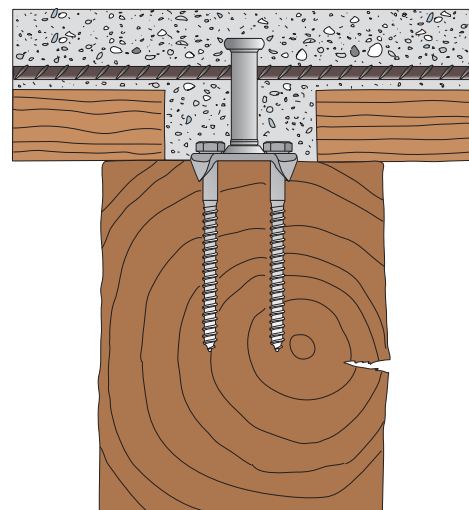
with a 50x50x4 mm base plate - screws Ø 8 mm

BASE

Article code	Diameter x length (mm)	Weight in Kg each	Price in € each
CTLB 020	12 X 020	0,17	2,31
CTLB 030	12 X 030	0,17	2,31
CTLB 040	12 X 040	0,18	2,41
CTLB 060	12 X 060	0,20	2,47
CTLB 070	12 X 070	0,21	2,52
CTLB 080	12 X 080	0,22	2,57
CTLB 105	12 X 105	0,24	2,94
CTLB 125	12 X 125	0,26	3,20
CTLB 150	12 X 150	0,28	3,47
CTLB 175	12 X 175	0,30	3,62
CTLB 200	12 X 200	0,38	3,83

SPECIFICATIONS

Zinc plated steel shear stud connector, 12 mm shank diameter with head, riveted to 50 x 50 x 4 mm base plate with crampons, fastened into the timber structure by the means of 2 DIN 571 screws, 8 mm diameter, 13 mm hexagonal head with a "truncated-cone" shaped under head.



Connector supplied with 2 DIN 571 screws Ø 8x100 mm (or Ø 8 X70 mm)

Connector with Ø 8 X 120 mm screws: 0.26 Euro extra price for each connector

Drilling Machine + Support



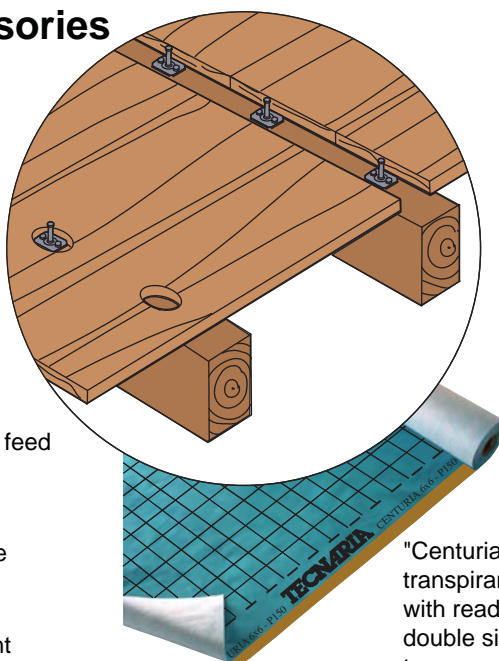
Accessories



Ø 65 mm self feed wood bit

Adhesive tape

Reinforcement tape for hole



1/2" Heavy Duty Electric Impact Wrench

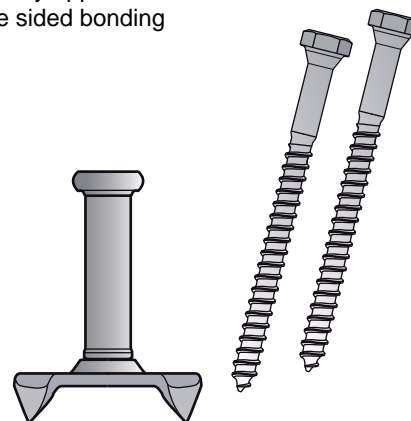


Oil Spray



13 mm HEX Socket

"Centuria" waterproof transpirant membrane with ready applied double sided bonding tape.



Code art.	ACCESSORIES	Price in € NET each
ACT-DW292	Heavy Duty Electric Impact Wrench	370,00
ACT-TRAPCOL	Drilling Machine + Support	750,00
ACT-FL65	Ø 65 mm self feed wood	52,00
ACT-BE-13-E	13 mm HEX Socket	4,20
ACT-54125001	Oil Spray ml. 400	6,30
ACT-TTCEN	Water-proof and transpirant membrane (m ²)	1,83
ACT-TTNB100	Special double-sided adhesive tape - rolls 50mm x 100mt	22,00
ACT-TTOB65	Reinforcement tape for hole surround Ø 135/65 mm	0,40

Price list - validity: 01.01.2018. Replaces the previous ones

Shear Connector With Crampons

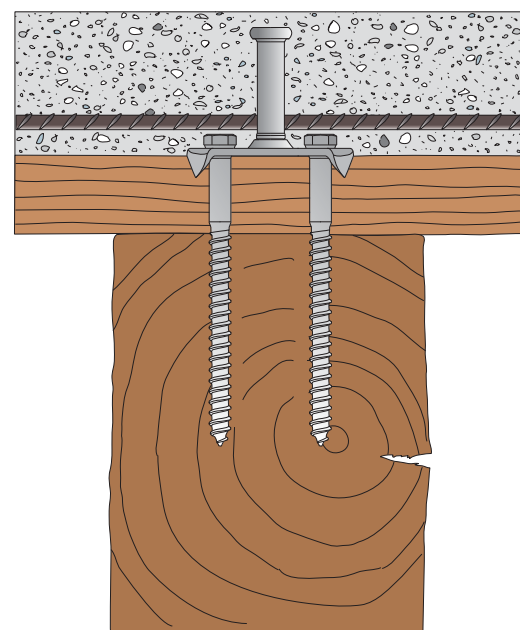
with a 75x50x4 mm base plate - screws Ø 10 mm

MAXI

Article code	Diameter x length (mm)	Weight in Kg each	Price in Euro each
CTLM 020	12 X 020	0.25	2,84
CTLM 030	12 X 030	0.26	2,84
CTLM 040	12 X 040	0.26	2,89
CTLM 060	12 X 060	0.29	2,94
CTLM 070	12 X 070	0.30	3,05
CTLM 080	12 X 080	0.31	3,10
CTLM 105	12 X 105	0.32	3,47
CTLM 125	12 X 125	0.35	3,68
CTLM 150	12 X 150	0.37	3,99
CTLM 175	12 X 175	0.38	4,10
CTLM 200	12 X 200	0.46	4,31

SPECIFICATIONS

Zinc plated steel shear stud connector, 12 mm shank diameter with head, riveted to a 75 x 50 x 4 mm base plate with crampons, fastened into the timber structure by the means of 2 DIN 571 screws, 10 mm diameter, 13 mm hexagonal head with a "truncated-cone" shaped under head.



Connector supplied with 2 DIN 571 screws Ø 10 x 120 mm (or Ø 10 X 100 mm)

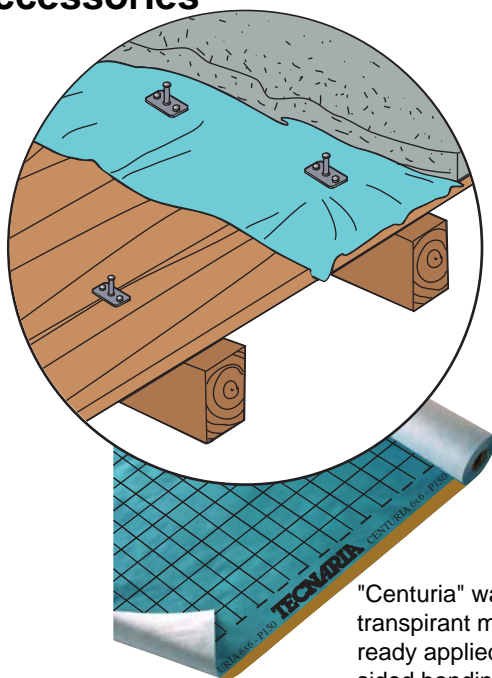
Connector with Ø 10 X 140 mm screws: 0,39 Euro extra price for each connector

Double 'T' drilling-machine



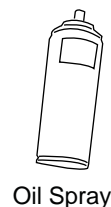
Adhesive tape

Accessories



"Centuria" waterproof transpirant membrane with ready applied double sided bonding tape.

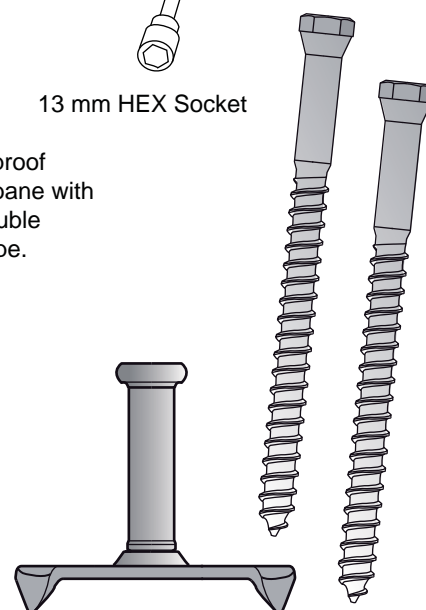
1/2" Heavy Duty Electric Impact Wrench



Oil Spray



13 mm HEX Socket



Article code	ACCESSORIES	Price in € NET each
ACT-DW292	1/2" Heavy Duty Electric Impact Wrench	370,00
ACT-DOPPTRAP	Double drilling-machine	1310,00
ACT-BE-13-E	13 mm HEX Socket	4,20
ACT-54125001	Oil Spray ml. 400	6,30
ACT-TTCEN	Water-proof and transpirant membrane 'Centuria' mq	1,83
ACT-TTNB100	Special double-sided adhesive tape - rolls 50mm x 100mt	22,00

Price list - validity: 01.01.2018. Replaces the previous ones

TECNARIA®

Viale Pecori Giraldi, 55 - 36061 Bassano del Grappa (VI) ITALY
 www.tecnaria.com - info@tecnaria.com
 Tel. + 39 (04)24 502029 r.a. - fax +39 (0)424 502386

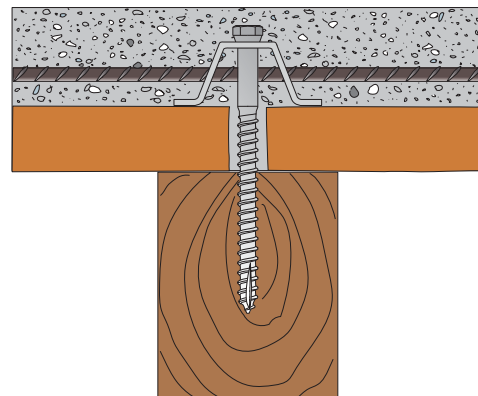


OMEGA connector

Consisting of a screw and stabilising plate
H35x30x90 mm - screws Ø10 mm

OMEGA

Article code	Diameter x length (mm)	Weight in Kg each	Price in Euro each
CVT 40V-10/100	10 X 100	0.16	1,47
CVT 40V-10/120	10 X 120	0.17	1,58
CVT 40V-10/140	10 X 140	0.18	1,73



Connector supplied with 1 DIN 571 screw Ø 10 x 100 mm (or Ø 10 X 120 -140 mm) and 1 stabilising plate

SPECIFICATIONS

Connector composed of a 10 mm screw, length 100/120/140 mm with tapered neck and a plate H38x30xL90 mm, thickness 4 mm, bent in Omega shape, having a hole for the coach screw to pass through.

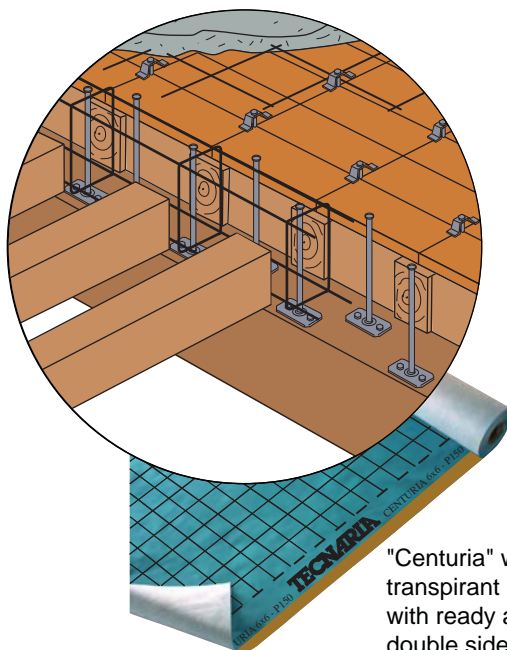
Accessories



Oil Spray



13 mm HEX Socket

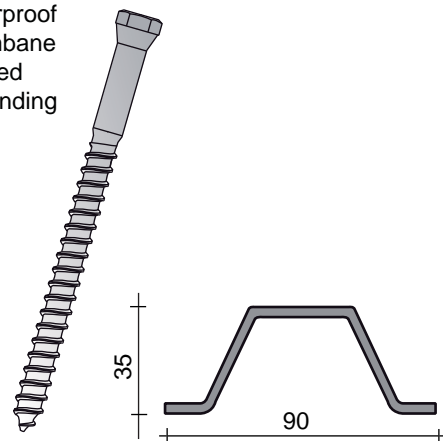


"Centuria" waterproof transpirant membrane with ready applied double sided bonding tape.

1/2" Heavy Duty Electric Impact Wrench



Article code	ACCESSORIES	Price in € NET each
ACT-DW292	1/2" Heavy Duty Electric Impact Wrench	370,00
ACT-BE-13-E	13 mm HEX Socket	4,20
ACT-54125001	Oil Spray ml. 400	6,30
ACT-TTCEN	Water-proof and transpirant membrane 'Centuria' mq	1,83



Price list - validity: 01.01.2018. Replaces the previous ones

TECNARIA®

Viale Pecori Giraldi, 55 - 36061 Bassano del Grappa (VI) ITALY
www.tecnaria.com - info@tecnaria.com
Tel. + 39 (0)424 502029 r.a. - fax +39 (0)424 502386

