

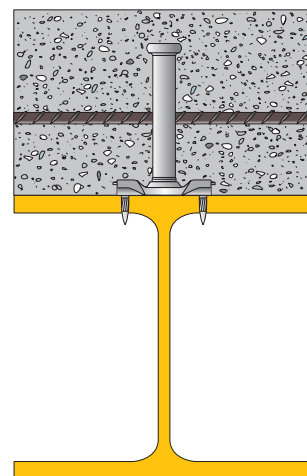
# Shear Stud Connector TECNARIA

for steel-concrete composite structures

Fastening with powder-actuated tool into steel S 235 - S 275 - S 355

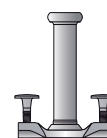
# CTF-S

Article code 1 stud + 2 nails + 2 cartridges	Diameter x length (mm)	Weight in Kg per 100 pieces	Price in € each
CTF 020 CC	12 X 020	10,00	2,73
CTF 025 CC	12 X 025	11,00	2,73
CTF 030 CC	12 X 030	11,00	2,73
CTF 040 CC	12 X 040	11,00	2,73
CTF 060 CC	12 X 060	13,00	2,78
CTF 070 CC	12 X 070	14,00	2,89
CTF 080 CC	12 X 080	15,00	2,94
CTF 090 CC	12 X 090	16,00	3,05
CTF 105 CC	12 X 105	17,00	3,15
CTF 125 CC	12 X 125	19,00	3,41
CTF 135 CC	12 X 135	20,00	3,62



SPECIFICATIONS
Zinc plated steel shear stud connector, 12 mm shank diameter with head, cold-swaged to a 35x50x4 mm base plate, fastened into the steel structure by the means of 2 resistance nails.

Article code	Description	Price in € each.
PRE-ASS	Article code Description Price in € each *	0,26



PREASSEMBLED NAILING UNIT  
only to be used in special cases.

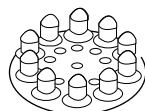
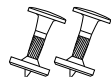
CTF 020 e CTF 025 only preassembled

## Accessories

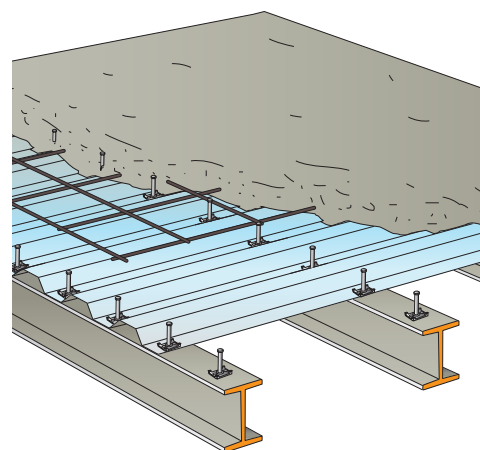
Powder-actuated tool SPIT 560  
with special drive pin  
for CTF connectors



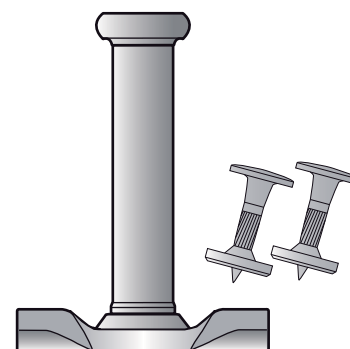
SBR Nails



Cartridge disc



Article code	ACCESSORIES	NET Price in € each
014000	Powder actuated tool SPIT 560 (kit for CTF)	1575,00
013997	Replacement piston (cod. 0141 PLT)	63,00
0577572	SBR14 Nail	0,21
0312XX	Cartridges (each)	0,14



LOOSE NAILS

Price list - validity: 01.01.2018. Replaces the previous ones

# TECNARIA®

Viale Pecori Giraldi, 55 - 36061 Bassano del Grappa (VI) ITALY  
www.tecnaria.com - info@tecnaria.com  
Tel. +39 (0)424 502029 r.a. - fax +39 (0)424 502386



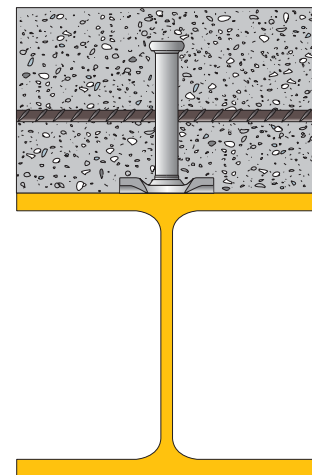
# Shear Stud Connector TECNARIA

for steel-concrete composite structures

Welded connectors

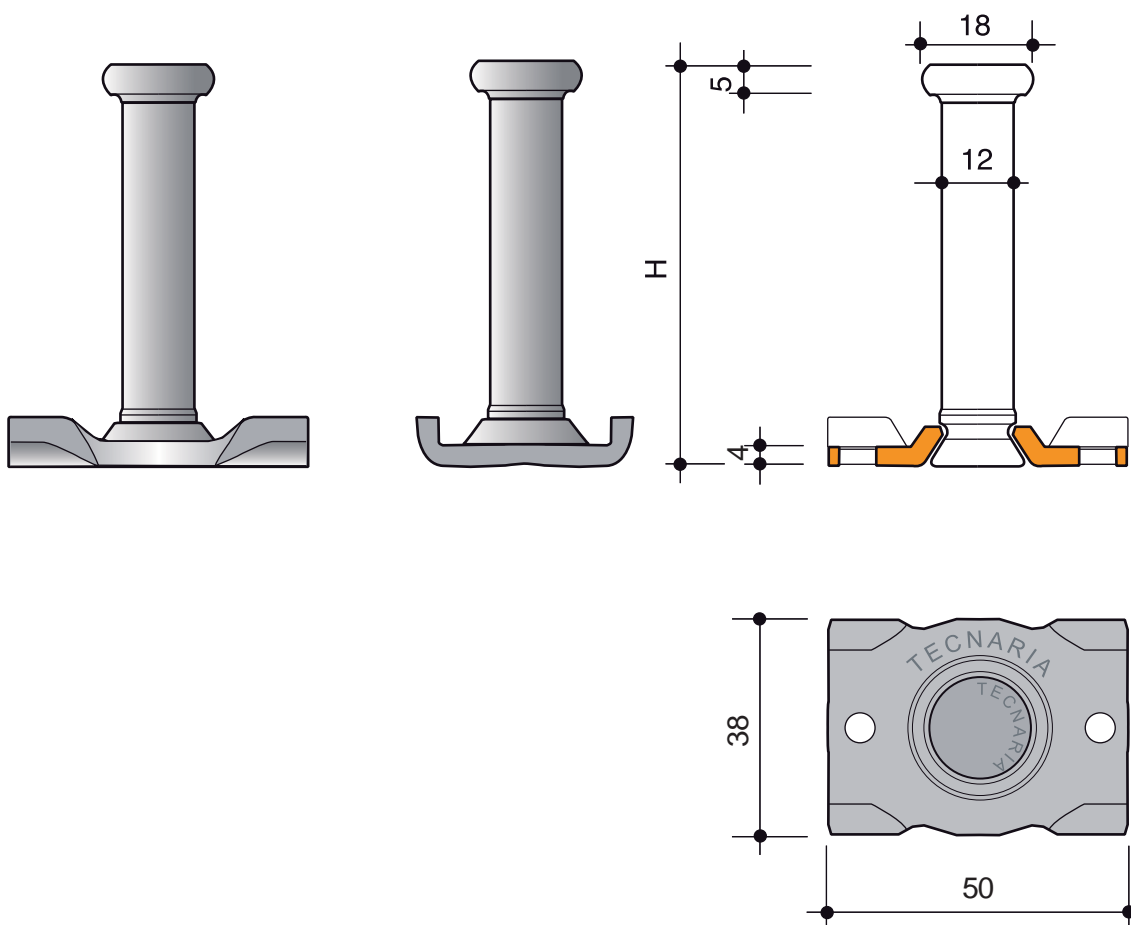
# CTF

Article code	Diameter x lenght (mm)	Weight in Kg per 100 pieces	Price in €each
CTF 020	12 X 020	10,00	2,00
CTF 025	12 X 025	11,00	2,00
CTF 030	12 X 030	11,00	2,00
CTF 040	12 X 040	11,00	2,00
CTF 060	12 X 060	13,00	2,05
CTF 070	12 X 070	14,00	2,15
CTF 080	12 X 080	15,00	2,21
CTF 090	12 X 090	16,00	2,31
CTF 105	12 X 105	17,00	2,42
CTF 125	12 X 125	19,00	2,68
CTF 135	12 X 135	20,00	2,78



## SPECIFICATIONS

Zinc plated steel shear stud connector, 12 mm shank diameter with head, cold-swaged to a 35x50x4 mm base plate.



Price list - validity: 01.01. 2018 Replaces the previous ones

# TECNARIA®

Viale Pecori Giraldi, 55 - 36061 Bassano del Grappa (VI) - ITALY  
 www.tecnaria.com - info@tecnaria.com  
 Tel. 39 (0)424 502029 r.a. - fax + 39 (0)424 502386



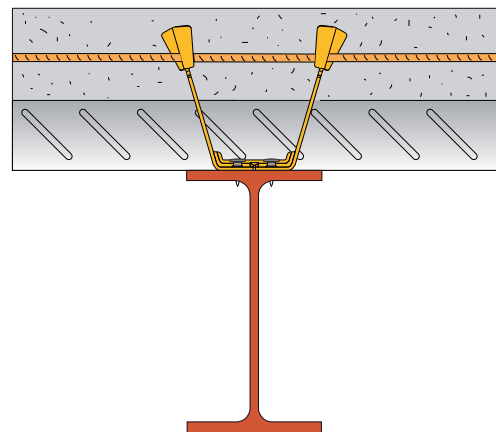
# High Resistance Shear Connector

For steel-concrete composite structures

Fastening with power-actuated tool into steel S 235 - S275 - S355

# DIAPASON

Article code 1 stud + 4 nails + 4 cartridges	Base x Height (mm)	Weight in Kg per 100 pieces	Price in € each
CTF D 100 CC	55 X 100	34,00	5,20
CTF D 125 CC	55 X 125	40,00	5,55



## SPECIFICATIONS

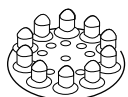
Connecting device made of a 3 mm thick galvanized steel plate, pressed into a 'U' shape. Ribbed base plate size 70x55 mm, two tilted wings 55x100 mm (or 55x125 mm) with holes for reinforcing bars. Fastened to the steel structure by 4 high-resistance nails.

## Accessories

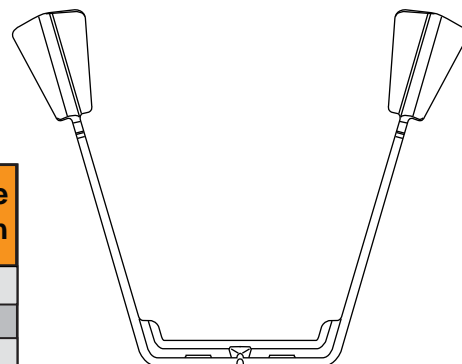
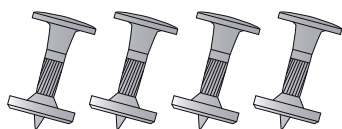
### Powder-actuated tool SPIT 560

with special drive pin for Diapason connectors

Cartridge disc



SBR Nails



Article code	ACCESSORIES	NET Price in € each
014001	Power actuated tool SPIT P560 (kit for Diapason)	1320,00
014137	Replacement piston	50,00
057572	SBR Nail	0,21
0312XX	Cartridge (each)	0,14

Price list - Validity: 01.01.2018. Replaces the previous ones.

# TECNARIA®

Viale Pecori Giraldi, 55 - 36061 Bassano del Grappa (VI) ITALY  
 www.tecnaria.com - info@tecnaria.com  
 Tel. +39 (0)424 502029 r.a. - fax +39 (0)424 502386

